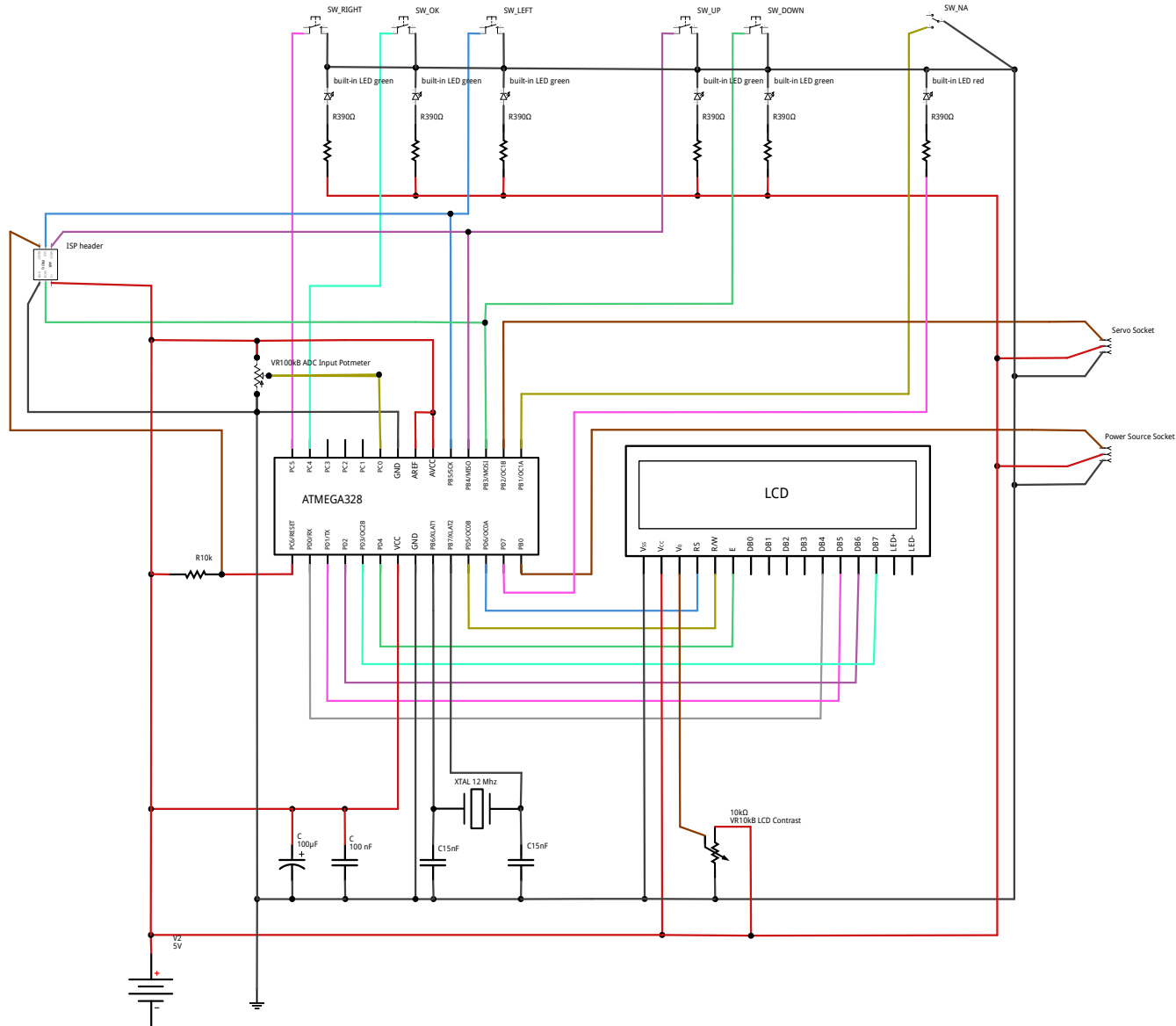


KiGN Servo Tester Rev. 0.2

Connection Diagram



Parts List

schematics ID	description	part.no	count
SW_OK	OK button LED backlit green	HIGHLY PB61302BL-3-103	1
SW_LEFT/RIGHT/UP/DOWN	arrow button LED backlit green	HIGHLY PB61302BL-3-104	4
SW_NA	switch (reserved for later use), red backlight as error indicator	HIGHLY PB61304AL-13	1
ATMEGA328	microcontroller	ATMEGA328-PU	1
	plastic case 125 x 72 x 25 mm		1
xtal 12Mhz	quartz 12 Mhz crystal	Fox Electronics FOXSLF/120-20	1
	single sided prototyping board, 2.54x2.54mm		1
LCD	LCM1602 2x16 character display	EL 1602A – F L – Y B W	1
R390	390 Ohm resistor for LED backlit button		6
R10k	10kOhm resistor for reset pin		1
C100nF	100nF ceramic capacitor - power supply filter		1
C15nF	15nF ceramic capacitor - crystal oscillator		2
C100uF	100uF electrolytic capacitor - power supply buffer		1
Servo / Power Source Socket	Futaba / JR servo female connector		2
ISP Header	2x3 pin header		1
VR100kB	ADC input potmeter linear (type B) 100k Ohm		1
VR10kB	LCD contrast trimmer potmeter linear (type B) 10k Ohm		1